

WOOFER

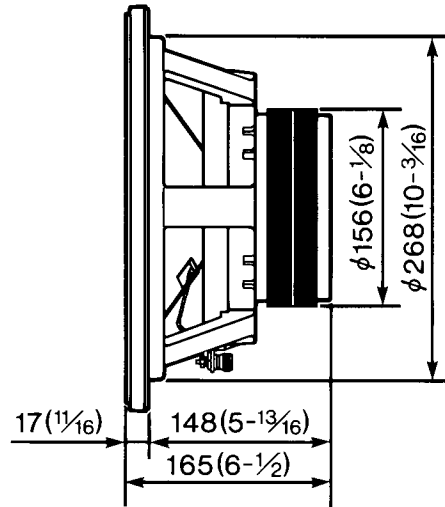
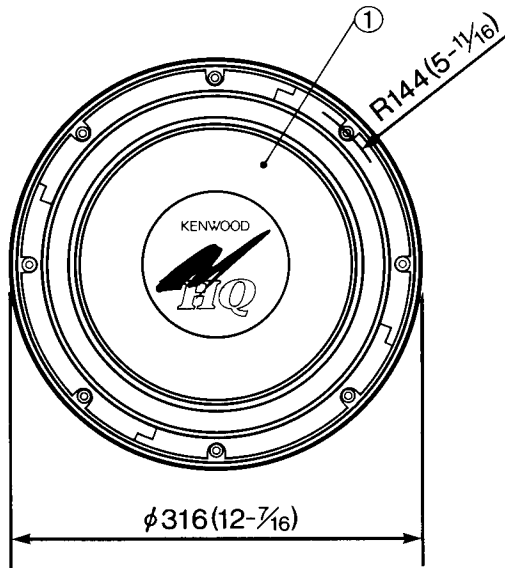
KFC-HQW308

SERVICE MANUAL

KENWOOD


© 1994-7 PRINTED IN JAPAN
B51-6728-00(N) 1276

EXTERNAL VIEW



UNIT : mm (inch)

PARTS INCLUDED

- ②  $\phi 5 \times 40(3/16 \times 1-9/16) \dots \dots \times 8$

SPECIFICATIONS

Speaker _____ 300 mm (12 in) Non-Press
 Pulp Cone Type
 2.6 kg (91.8 oz) Magnet

RMS _____ 300 Watts

Sensitivity _____ 91 dB/W at 1m

Frequency Response _____ 18 Hz ~ 2,000 Hz

Impedance _____ 8 Ohms

Net Weight _____ 8.8 kg (19.4 lb)/Pc.

PARTS LIST

* New parts
 Parts without **Parts No.** are not supplied.
 Les articles non mentionnés dans le **Parts No.** ne sont pas fournis.
 Teile ohne **Parts No.** werden nicht geliefert.

Ref No.	New parts	Parts No.	Description
①	*	T10-0661-08	SPEAKER
②		N99-1254-08	SCREW SET